

Ductile Iron Butterfly Valves PN16/235PSI/Class125

Wafer Style, Pin-Free Valve Shaft, Seal-Line Seat
Design to BS5155 and MSS SP-67
Flange Dimension to EN1092-2, ANSI B16.1 Class 125



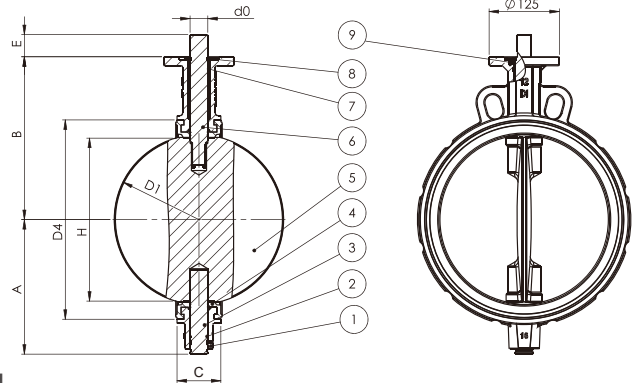
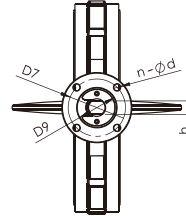
HB950-L/G/O
2" - 12"

Sealing Performance	
EPDM	-20°C- 120°C
NBR	-10°C- 80°C
VITON	-20°C- 150°C

Hydraulic Pressure Test	
Body	2.4Mpa/24Bar
Seat	1.76Mpa/17.6Bar

Materials List

No	Part	Specification	BS EN	ASTM
1	Body	Ductile Iron	BSEN 1563	A536 65-45-12
2	Bottom Stem	Stainless Steel	BSEN 10088-1	A582 420
3	O-Ring	NBR	NBR	NBR
4	Seat	EPDM	EPDM	EPDM
		NBR	NBR	NBR
		VITON	VITON	VITON
5	Disc	Ductile Iron	BSEN 1563	A536 65-45-12
		Stainless Steel	BS970 304S15	CF8
		Aluminum Bronze	1400AB2	B148 Ay 954
6	Upper Stem	Stainless Steel	BSEN 10088-1	A582 420
7	Nameplate	Aluminum	PTFE&Bronze	PTFE&Bronze
8	Screw	Steel	BSEN 10087	A307
9	Retaining Cap	Steel	BSEN 10087	A307



* Suffix - L for operation by lever, - G for operation by worm gear, - O for polished rod
* An electric or pneumatic actuator may be mounted to match an ISO5211-based mount.
Please refer to the TALOAR Butterfly Valve Torque Table in Page 46.

Dimensions-Weights

mm	50	65	80	100	125	150	200	250	300	
In	2	2½	3	4	5	6	8	10	12	
A	78	90	99	120	134	142	178	203	240	
B	120	137	145	160	175	189	220	250	290	
C	43	46	46	52	56	56	62	68	78	
E	30	30	30	30	30	30	40	40	40	
H	23.9	39.5	60.3	87.3	106.5	142.3	193.2	242.2	290.2	
D4	83	95.5	138.0	139.0	167.0	194.0	247.6	300.0	352.0	
d0	12.60	12.60	12.60	15.77	18.92	18.92	22.10	28.45	31.60	
h	9	9	9	11	14	14	17	22	24	
D6	90	90	90	90	90	90	125	125	125	
D7	70	70	70	70	70	70	102	102	102	
D9	55	55	55	55	55	55	70	70	70	
n-φd	4-10	4-10	4-10	4-10	4-10	4-10	4-12	4-12	4-12	
ISO5211	F07	F07	F07	F07	F07	F07	F10	F10	F10	
Weight	Lbs	7.7	8.8	10.1	12.6	16.3	22.3	40.1	52.5	81.6
	Kg	3.5	4.0	4.6	5.7	7.4	10.1	18.2	23.8	37.0

Note: Steam services are not recommended. For valves over 6" , operation by the worm gear is suggested.